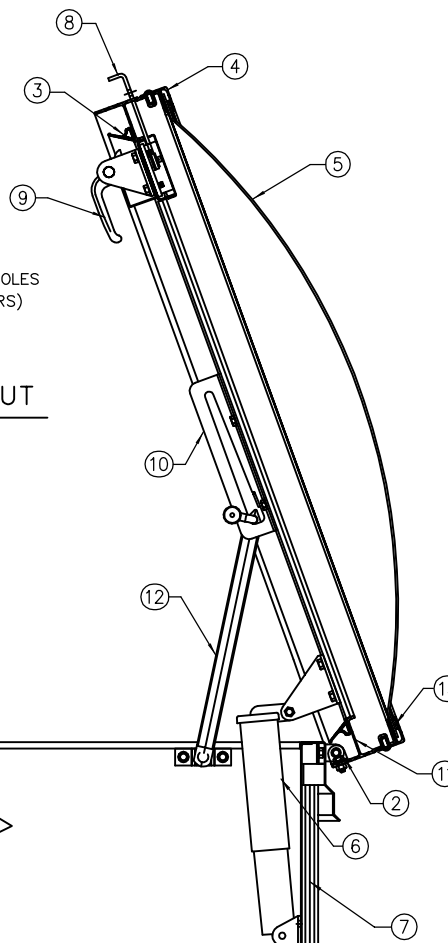
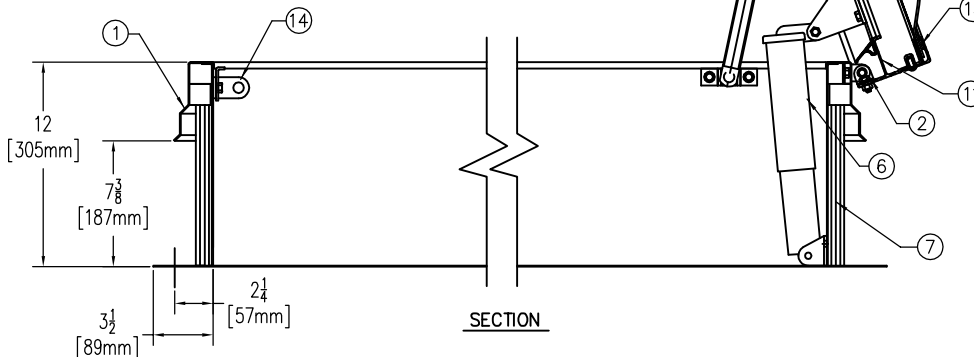
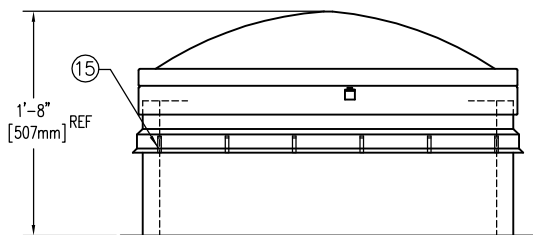


ANCHOR HOLE LAYOUT



SPECIFICATIONS

1. FRAME W/ CAPFLASHING (CORNERS FULL WELDED)
GS-50 - 11 GAUGE ALUMINUM
2. PINTLE HINGE
3. GASKET (ALL AROUND COVER)
4. EXTRUDED ALUMINUM COVER FRAME
5. POLYCARBONATE DOME (CLEAR)
6. SPRING LIFTING MECHANISM
7. 1" RIGID FIBERBOARD INSULATION
8. OUTSIDE HANDLE W/PADLOCK HASP
9. INSIDE HANDLE W/PADLOCK HASP
10. ARM GUIDE BRACKET
11. CONDENSATE CHANNEL WITH DRAINAGE TO EXTERIOR
12. HOLD OPEN ARM W/ RED VINYL GRIP
13. BUTYL SEALANT
14. LOCK STRIKE & PADLOCK HASP
15. BILCLIP® FLASHING SYSTEM

SHOP FINISH:

ALUMINUM: MILL FINISH
 HARDWARE: ZINC PLATED/CHROMATE SEALED
 (UNLESS OTHERWISE SPECIFIED)

THIS PRODUCT MAY BE INSTALLED ON EITHER A FLAT OR SLOPING ROOF. WHEN INSTALLED ON A SLOPE, THE HINGE SIDE MUST RUN PARALLEL WITH THE SLOPE. IF SLOPE EXCEEDS 30°, ADVISE FACTORY FOR MODIFICATION.

CUSTOMER:

P.O. NO:

JOB:

TAG:

SALES REP:

APPROVED BY:

DATE:

Manufacturers of Doors for Special Services
Bilco® THE BILCO COMPANY
 New Haven, Connecticut 06505

SINGLE LEAF ROOF SCUTTLE
DOMED TYPE GS-50
SIZE 3'-0" x 2'-6"
 WIDTH x LENGTH

QTY	TYPE	METAL
<input type="checkbox"/>	GS-50	ALUM. COVER/ALUM. FRAME

THIS DRAWING IS THE PROPERTY OF THE BILCO COMPANY AND INCORPORATES INFORMATION WHICH IS PROPRIETARY. PUBLICATION AND/OR PUBLIC DISTRIBUTION IN WHOLE OR IN PART IS EXPRESSLY PROHIBITED WITHOUT THE PRIOR WRITTEN CONSENT OF THE BILCO COMPANY. THE INFORMATION CONTAINED HEREIN REMAINS THE PROPERTY OF THE BILCO COMPANY. ALL RIGHTS RESERVED.