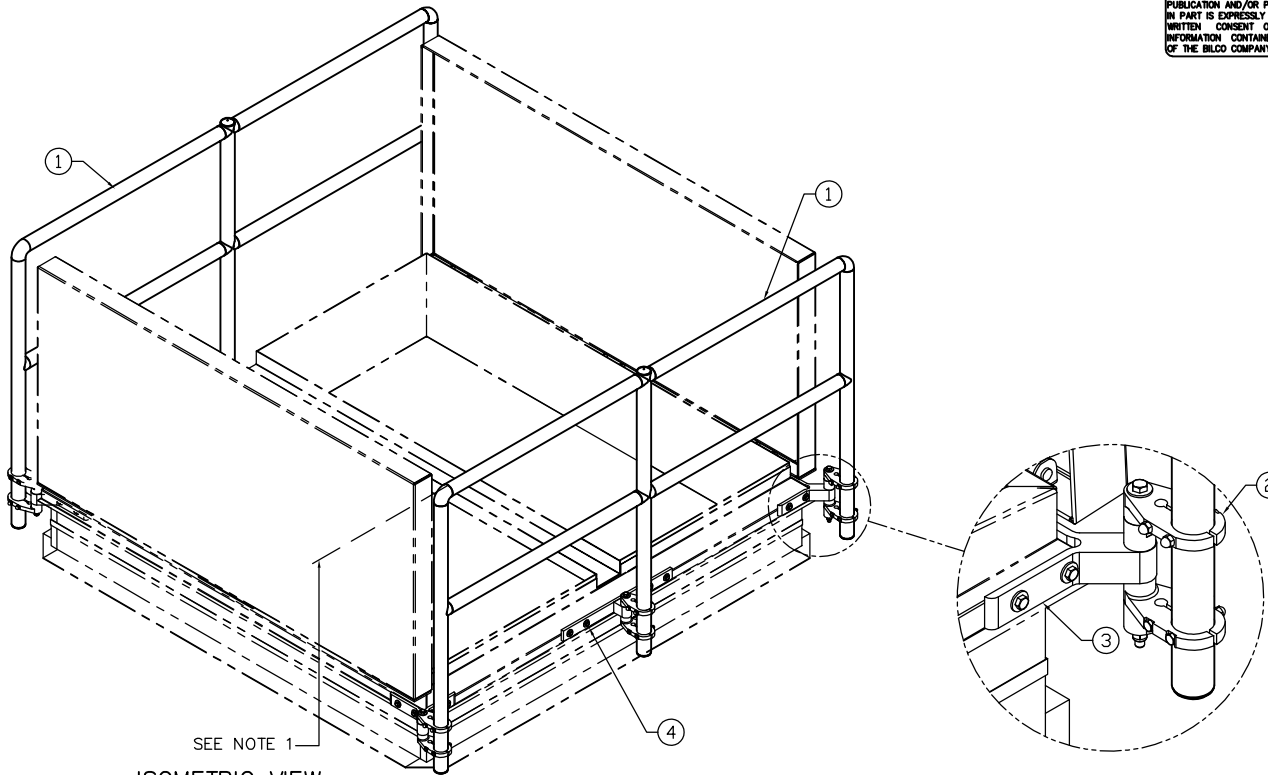
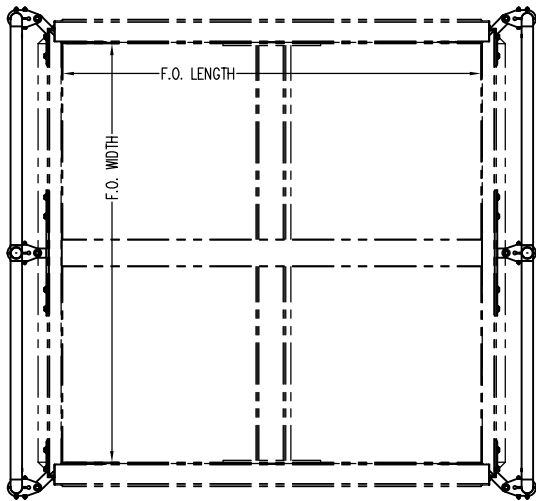


THIS DRAWING IS THE PROPERTY OF THE BILCO COMPANY AND INCORPORATES INFORMATION WHICH IS PROPRIETARY. PUBLICATION AND/OR PUBLIC DISTRIBUTION IN WHOLE OR IN PART IS EXPRESSLY PROHIBITED WITHOUT THE PRIOR WRITTEN CONSENT OF THE BILCO COMPANY. THE INFORMATION CONTAINED HEREIN REMAINS THE PROPERTY OF THE BILCO COMPANY. ALL RIGHTS RESERVED.



ISOMETRIC VIEW



PLAN VIEW

NOTE:  
THIS DRAWING REPRESENTS THE BIL-GUARD®2.0 HATCH RAIL SYSTEM, THE DOOR IS SHOWN FOR REFERENCE ONLY AND MAY NOT REFLECT ALL OPTIONS

BIL-GUARD®2.0 DOUBLE LEAF SMOKE VENT INFORMATION				
UNIT TYPE	<input type="checkbox"/> ACDSV	<input type="checkbox"/> DSH	<input type="checkbox"/> LV	
CURB TYPE	<input type="checkbox"/> CAP FLASHING	<input type="checkbox"/> FULLY ENCLOSED		
INSULATION SIZE	<input type="checkbox"/> 1"	<input type="checkbox"/> 2"	<input type="checkbox"/> 3"	<input type="checkbox"/> 4"

SPECIFICATIONS

1. 1 1/4" SCHEDULE 40 PIPE IN 6061 T6 ALUMINUM ALLOY RAILS
2. ALUMINUM POST SUPPORTS
3. CORNER BRACKET
4. SIDE BRACKET

NOTES:

1. TOP OF RAIL TO BE SET 42" ABOVE THE ROOF SURFACE OR DECK
2. NO GATES AVAILABLE ON SMOKE VENTS
3. ALL FASTENERS ARE STAINLESS STEEL
4. ALL PARTS AND FASTENERS ARE INCLUDED IN PACKAGE. CAPFLASHING MUST BE STRUCTURALLY SOUND TO SUPPORT ASSEMBLY
5. POWDER COAT FINISH IN RAL 1018, SAFETY YELLOW

*SMOKE VENT NOT INCLUDED*

CUSTOMER:

P.O. NO:

JOB:

TAG:

SALES REP:

APPROVED BY:

DATE:

Manufacturers of Doors for Special Services  
**Bilco**® THE BILCO COMPANY  
New Haven, Connecticut 06505

BIL-GUARD®2.0 - HATCH RAIL SYSTEM FOR SPECIAL DOUBLE LEAF SMOKE VENT

QTY	TYPE	SIZE WIDTH x LENGTH
<input type="text"/>	RL2-DSV	<input type="text"/> x <input type="text"/>

HINGE SIDE

WEB SITE: [www.bilco.com](http://www.bilco.com)