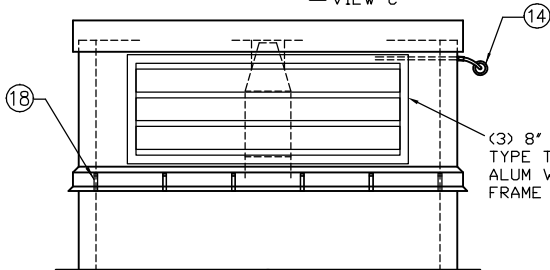
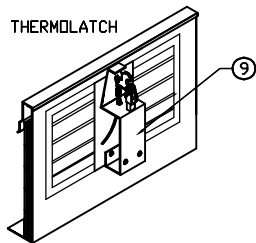


VIEW C



(3) 8" x 24" LOUVERS
TYPE T-63815 MILL FINISH
ALUM WITH EXTENDED
FRAME & INSECT SCREEN



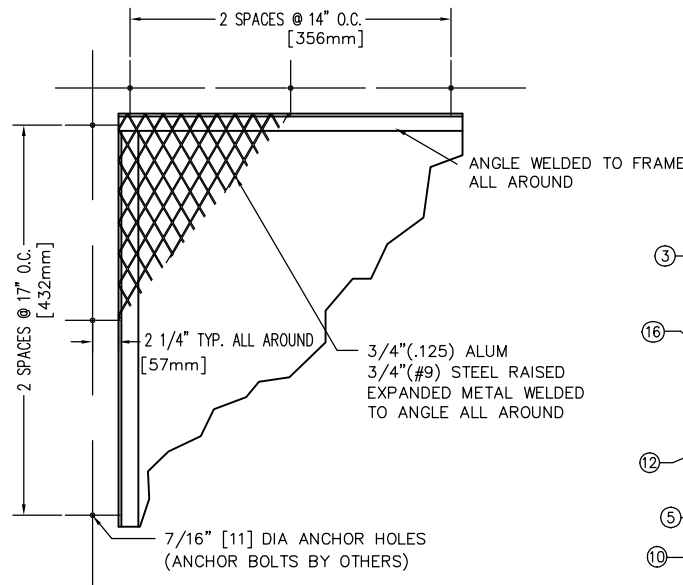
OPTIONS

- OMIT EXPANDED METAL
- 115 VAC ELECTRIC THERMOLATCH
- 24 VAC ELECTRIC THERMOLATCH
- 24 VDC ELECTRIC THERMOLATCH

1. THERMOLATCH MECHANISM - COVERS WILL OPERATE ONLY WHEN ACTIVATED
 - A. MANUALLY
 - B. BY HEAT AT 165°FUSIBLE LINK

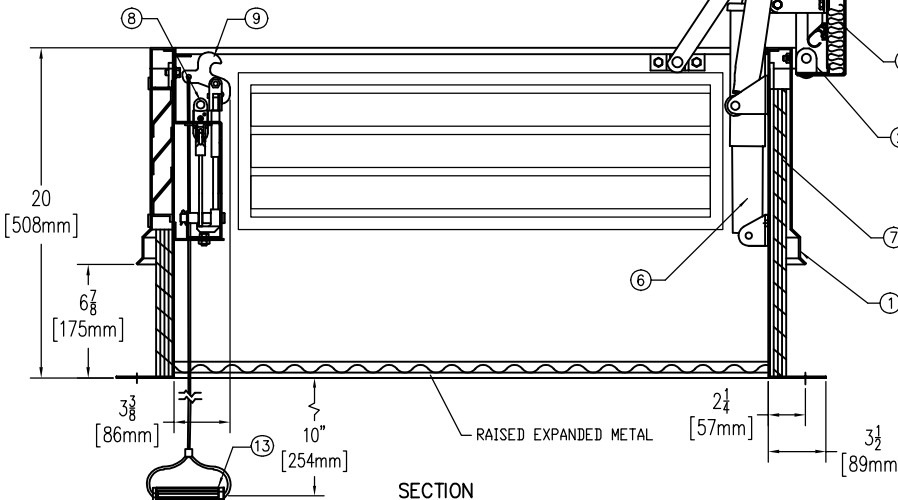
VIEW C

THIS DRAWING IS THE PROPERTY OF THE BILCO COMPANY AND INCORPORATES INFORMATION WHICH IS PROPRIETARY. PUBLICATION AND/OR PUBLIC DISTRIBUTION IN WHOLE OR IN PART IS EXPRESSLY PROHIBITED WITHOUT THE PRIOR WRITTEN CONSENT OF THE BILCO COMPANY. THE INFORMATION CONTAINED HEREIN REMAINS THE PROPERTY OF THE BILCO COMPANY. ALL RIGHTS RESERVED.

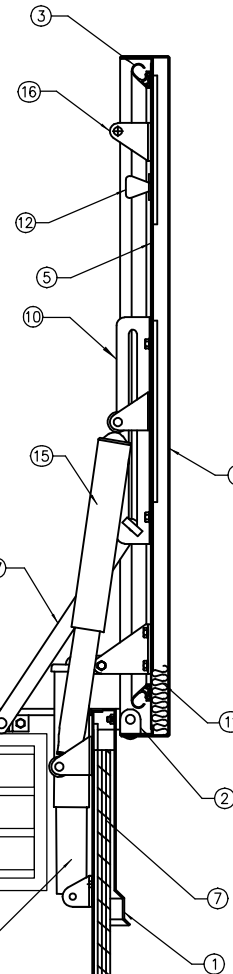


ANCHOR HOLE LAYOUT
& SAFETY GRID

- NOTE
1. COVERS SHALL OPEN AGAINST 10 PSF (49 kg/m²) SNOW/WIND LOAD
 2. VENT ASSEMBLY RATED FOR 40 PSF (195 kg/m²) LIVE LOAD
 3. COVERS WILL REMAIN CLOSED UNDER 90 PSF (438 kg/m²) WIND UPLIFT FORCE
 4. COMPLIES WITH IBC 3004.3



SECTION



SPECIFICATIONS

1. FRAME W/ CAPFLASHING (CORNERS FULL WELDED)
 - S-20SVEV - 14 GAUGE P.B. GALV. STEEL
 - S-40SVEV - 14 GAUGE P.B. GALV. STEEL
 - S-50SVEV - 11 GAUGE ALUMINUM
2. PINTLE HINGE
3. GASKET (ALL AROUND COVER)
4. COVER GAUGE
 - S-20SVEV - 14 GAUGE P.B. GALV. STEEL
 - S-40SVEV - 11 GAUGE ALUMINUM
 - S-50SVEV - 11 GAUGE ALUMINUM
5. COVER LINER
 - S-20SVEV - 22 GAUGE P.B. GALV. STEEL
 - S-40SVEV - 18 GAUGE ALUMINUM
 - S-50SVEV - 18 GAUGE ALUMINUM
6. SPRING LIFTING MECHANISM
7. 1" RIGID FIBERBOARD INSULATION
8. 165° FUSIBLE LINK (EXTRA LINK PROVIDED)
9. THERMOLATCH® POSITIVE HOLD/RELEASE MECHANISM
10. ARM GUIDE BRACKET
11. 1" THICK FIBERGLASS COVER INSULATION
12. GRAB HANDLE
13. PULL GRIP TO OPEN FROM INSIDE 1/8" DIA STEEL CABLE
14. PULL GRIP TO OPEN FROM OUTSIDE 1/8" DIA STEEL CABLE
15. SHOCK ABSORBER
16. COVER LATCH BRACKET
17. GUIDE ARM (2 REQ'D)
18. BILCLIP® FLASHING SYSTEM

SHOP FINISH:
STEEL: RED OXIDE PRIMER
ALUMINUM: MILL FINISH
HARDWARE: NON-CORROSIVE MATERIALS
(UNLESS OTHERWISE SPECIFIED)

THIS PRODUCT MAY BE INSTALLED ON EITHER A FLAT OR SLOPING ROOF. WHEN INSTALLED ON A SLOPE, THE HINGE SIDE MUST RUN PARALLEL WITH THE SLOPE. IF SLOPE EXCEEDS 30°, ADVISE FACTORY FOR MODIFICATION.

CUSTOMER:

P.O. N°

JOB:

SALES REP:

Manufacturers of Doors for Special Services
Bilco® THE BILCO COMPANY
New Haven, Connecticut 06505

SINGLE LEAF FIRE VENT
TYPE S-SVEV SIZE 3'-0" x 2'-6"
WIDTH x LENGTH

QTY	TYPE	METAL
<input type="checkbox"/>	S-20SVEV	STEEL COVER/STEEL FRAME
<input type="checkbox"/>	S-40SVEV	ALUM. COVER/STEEL FRAME
<input type="checkbox"/>	S-50SVEV	ALUM. COVER/ALUM. FRAME